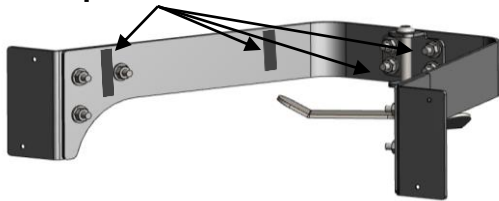


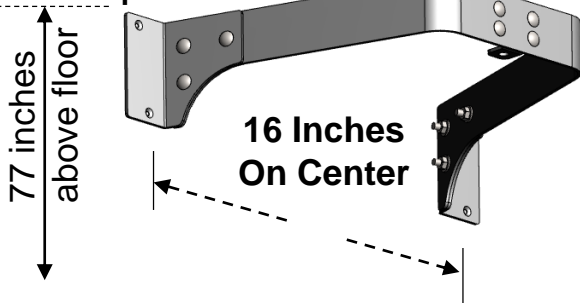
VeloGrip Max Installation

Step 1



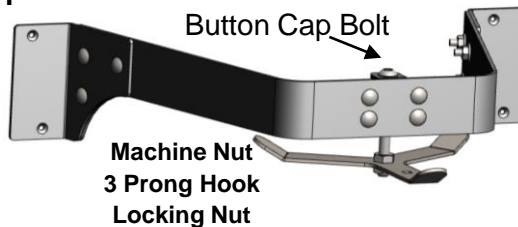
- Align the gear hammock to the Max rack
- Adhere adhesive Velcro tabs (provided) to the desired locations (inside of rack) *Note: Later attach the gear hammock at the end of the installation process.*

Step 2



- Mark desired location for Max rack on wall (average adult install height is 77 inches above floor) *Note: Installation height will vary by bike and rider*
- Bracket holes are 16 inch on center to align with standard stud construction, utilize 2 inch wood screws to mount the rack
- *If* desired location does not have studs available use EZ Anchor wall anchors and screws (provided). Drill pilot holes (7/32 inch drill bit), manually screw white wall anchor until flush with the sheetrock / drywall then screw corresponding anchor screws through bracket holes into white wall anchor.

Step 3



- Insert button cap bolt (threads first) down through holes at the front of rack
- Position machine nut (no rubber insert) 1 inch up onto the button cap bolt
- Slide on the 3 Prong hook
- Screw on locking nut (locking nut has rubber insert) at bottom
- Tighten both machine nut and locking nut tight to the 3 prong hook – wrench needed to tighten
- Position and install L shaped scuff bar to rest rear wheel in desired position.

Special Notes:



To MAXimize space, Max racks are modular and can be mounted and even overlap side by side as shown above. Overlapping mounting requires stud or solid mounting substrate (not hollow wall anchor)

J-Fixed hook accessory (if purchased)



- Align J-Fixed Hook onto the 3 prong rotating hook
- Insert the carriage bolt and tighten with locking nut
- Adhere included Velcro adhesive pad to J-Fixed Hook for soft wheel placement

Disclaimers and Requirements

- All VeloGrip storage racks align to traditional stud spacing and come with woodscrews for mounting.
- If studs are not available VeloGrip has provided EZ Twist and Lock, nylon wall anchors and corresponding screws (designed to support 75 lbs. or 34 kgs each)
- VeloGrip requires stud or solid substrate mounting of all overlapping brackets (when multiple Max racks are mounted side by side as pictured above under *Special Notes*)
- **VeloGrip by VersionTwo.0 LLC is not responsible for any of the following:**
 1. Damages that may be caused from installation of a VeloGrip storage rack
 2. Damages to the building structure (walls, plumbing or electrical wiring)
 3. Damages to any objects or other materials placed on the bike rack
 4. Damages or any personal injuries from installation or utilization of VeloGrip products